

S U N S O U R C E

## Owners Manual



*Operation & Assembly  
Instructions*

*Warranty Information*



# Sunsource™

## International Tanning Technologies 1-800-832-8267

This product is in conformity with the performance standard for sunlamp products under 21 CFR part 1040.20. This product is compliant with standards UL 482, 7th edition UL 1598, 4th edition, and CAN/CSA-C22.2

### 3 YEAR LIMITED WARRANTY

International Tanning Technologies, Inc., warrants to the original purchaser, that the Sunsource™ indoor suntanning products (hereafter referred to as the "product") to be free of defects in workmanship and materials for a period of three years from the date of purchase from International Tanning Technologies Inc., its' franchises and authorized distributors. Warranty excludes pistons and acrylics which are warranted for a period of 90 days from the date of purchase. Tanning lamps are warranted by the manufacturer of the lamp itself for a period of 30 days. Within this period we will replace or repair, at our option, the product or any part or parts without charge for materials. Labor will be rendered at no charge for a period of 90 days from the date of purchase. This warranty does not cover transportation and or shipping costs. This warranty does not cover any product or part thereof subjected to misuse, abuse, accidental or intentional damage or improper maintenance, alteration or where replacement parts not expressly authorized by International Tanning Technologies, Inc. are utilized except as expressly stated herein.

This limited warranty is in lieu of any other warranties expressed or implied including any implied warranties of merchant ability or fitness; International Tanning Technologies Inc., or its' authorized distributors shall not be liable to purchaser or any user of the product for any injuries to person or property caused directly or indirectly by the product or any part or component thereof.

Purchaser remedies shall be limited to the remedies provided in this limited warranty and shall in no event include any incidental, indirect, special, or consequential damages or loss of use, revenue, or profit even if International Tanning Technologies Inc. has been advised of the possibility of such damages.

In the event of a claim under this limited warranty, purchaser shall contact International Tanning Technologies in writing or by phone at 1-800-832-8267, or your authorized Sunsource distributor within the warranty period. In the event International Tanning Technologies Inc. or its' authorized distributor determine the product or any part thereof requires repair or replacement, purchaser shall be directed to where the product or any part thereof should be shipped for repair or replacement as provided hereunder.

Some states do not permit limitation or exclusion of implied warranties; therefore the limitation or exclusions set forth above may not apply to purchaser. This warranty gives specific legal rights and purchaser may also have other rights which may vary from state to state.



## WARNING

If you have been diagnosed by a physician as being allergic to the sun or are currently taking any photosensitive medications; consult your physician before using this product.

This tanning system is designed for use by one person at a time. Always use the protective eyewear that is provided when tanning.

International Tanning Technologies strongly discourages the use of this product by pregnant women. Although there is no evidence of direct harm caused by UVA/UVB exposure to the women or unborn child, a tanning bed does, however; generate a great deal of heat that may raise your core body temperature.

## SKIN TYPES

Determine skin type by the following information:

**Skin Type 1:** always burns easily and severely, then peels- never tans very fair skin, red or blond hair & freckles

(unexposed skin is white)

**Skin Type 2:** burn easily, tans minimally or lightly and peels, usually fair skinned (unexposed skin is white)

**Skin Type 3:** burn moderately, tans eventually (unexposed skin is white)

**Skin Type 4:** burns minimally, always tans well (unexposed skin is white)

**Skin Type 5:** rarely burns, always tans readily (unexposed skin is brown)

**CAUTION:** SOME AREAS OF SKIN MAY NOT HAVE EVER BEEN EXPOSED TO NATURAL SUNLIGHT, THESE AREAS WILL BE VERY SENSITIVE AND WILL BURN VERY EASILY. CARE SHOULD BE TAKEN TO AVOID OVEREXPOSURE TO THESE AREAS, REGARDLESS OF SKIN TYPE.

Determine your skin type and refer to the exposure schedule on the following page. Be patient with your tanning results and NEVER tan more than once in a 24 hour period.

Use only a quality tanning lotion that has been marked for indoor use. Some lotions may contain ingredients that will cloud or damage the acrylic sheet, these must be avoided.

## UNIT SPECIFICATIONS

Length: 84" overall

Width: 38.5"

Weight: 3000XP-4001bs. 4000XP-415 lbs. 5000XP-425 lbs.

Room dimensions (minimum) 8'x8'

NOTE: Smaller rooms may be used as long as there is adequate ventilation for the unit. Higher temperatures will result in shortened lamp life and possible component failure.

Electrical: 220-235VAC, 220 Volt, 3 wire (2 hot, 1 ground)

Receptacle: USE ONLY NEMA 6-20R, or NEMA 6-30R

Amperage: 3000XP-14 amp draw, 20 amp double pole breaker

4000XP-16 amp draw, 20 amp double pole breaker

5000XP-18 amp draw, 30 amp double pole breaker

NOTE: If actual voltage is not between 220-235 VAC, you will need a buck boost transformer to correct the deficiency in your incoming power. Failure to do so will create undue stress on your unit and will void warranty.

## DANGER! ULTRAVIOLET RADIATION

FOLLOW INSTRUCTIONS. Avoid overexposure, as with natural sunlight, overexposure can cause eye and skin injury and allergic reactions. Repeated overexposure may cause premature aging of skin and skin cancer. **WEAR PROTECTIVE EYEWEAR. FAILURE TO DO SO MAY RESULT IN SEVERE BURNS OR LONG TERM INJURY TO THE EYES.** Medications or cosmetics may increase your sensitivity to the ultraviolet radiation. Consult a physician before using a sunlamp if you are using medications or have a history of skin problems or believe yourself to be especially sensitive to sunlight. If you do not tan in the sun you are unlikely to tan from the use of this product. Minimum use distance is 1 inch or 2.54 centimeters. Tanning may appear after one application provided your skin is capable of developing a suntan. Allow 48 hours between sessions to obtain a base tan. Use once

or twice a week to maintain appearance. **ONLY THE INDICATED LAMPS HAVE BEEN CERTIFIED FOR USE IN THE SPECIFIED EQUIPMENT.** These products are in conformity with performance standards for sunlamp products under 21 CFR part 1040.20.

Recommended eyewear provided eye shields (Lucas products corp., Super Sunnies) or equivalent eyewear as defined under 21 CFR 1040.20 2 (b)(6). One pair of protective eyewear is furnished with this equipment and should be worn by all person in the room when lamps are on.

**DISCONNECT POWER CORD BEFORE ATTEMPTING TO CLEAN, RELAMP, OR ENGAGE IN THE MAINTENANCE OF THIS PRODUCT.**

**WARNING:** Read the instruction booklet before using lamps. When using this bed lie down on the bench and pull canopy down until it will move no farther. Operation of this device below recommended minimum distance for use may result in overexposure.

**20 MINUTE BED LAMPS**  
Wolf System Everglo/100w, Cosmedico Goldarium S Plus 100w, Cosmedic VLR 100w, Cosmedico Cosmostar S 100w, Light Sources Midday Sun 5.0/100W, Light Sources Dual Sun 100w or FDA equivalent.

### 20 MINUTE BED LAMPS

Light Sources Midday Sun Reflector 5.0/100W, or FDA equivalent.

### 15 MINUTE BED LAMPS

Light Sources Equator Sun 100W, Light Sources Beach Sun Reflector Cosmedico Hi-Tan 100w or FDA equivalent.

### 10 MINUTE BED LAMPS

Light Sources Equator Sun 100W, Light Sources Beach Sun Reflector Cosmedico Hi-Tan 100w or FDA equivalent.

### 10 MINUTE

RECOMMENDED EXPOSURE SCHEDULE			MAXIMUM EXPOSURE TIME IN MINUTES				
Skin Type			Week 1 1st-3rd sessions	Week 2 4th-6th sessions	Week 3 7th-9th sessions	Week 4 10th-12th sessions	Maximum Subsequent sessions
I	Sensitive Skin	Burns easily and severely- does not tan.	Not Recommended for tanning				
II	Light Skin	Burns easily and tans minimally.	2	4	6	8	10
III	Normal Skin	Burns moderately and tans moderately.	3	6	8	10	10
IV	Dark Skin	Burns minimally and tans above average.	5	7	9	10	10
V	Very Dark Skin	Rarely burns, tans easily and substantually.	6	8	9	10	10

### 15 MINUTE

RECOMMENDED EXPOSURE SCHEDULE			MAXIMUM EXPOSURE TIME IN MINUTES				
Skin Type			Week 1 1st-3rd sessions	Week 2 4th-6th sessions	Week 3 7th-9th sessions	Week 4 10th-12th sessions	Maximum Subsequent sessions
I	Sensitive Skin	Burns easily and severely- does not tan.	Not Recommended for tanning				
II	Light Skin	Burns easily and tans minimally.	2	4	9	15	15
III	Normal Skin	Burns moderately and tans moderately.	4	6	12	15	15
IV	Dark Skin	Burns minimally and tans above average.	6	9	13	15	15
V	Very Dark Skin	Rarely burns, tans easily and substantually.	7	10	14	15	15

### 20 MINUTE

RECOMMENDED EXPOSURE SCHEDULE			MAXIMUM EXPOSURE TIME IN MINUTES				
Skin Type			Week 1 1st-3rd sessions	Week 2 4th-6th sessions	Week 3 7th-9th sessions	Week 4 10th-12th sessions	Maximum Subsequent sessions
I	Sensitive Skin	Burns easily and severely- does not tan.	Not Recommended for tanning				
II	Light Skin	Burns easily and tans minimally.	3	8	12	16	20
III	Normal Skin	Burns moderately and tans moderately.	5	10	15	20	20
IV	Dark Skin	Burns minimally and tans above average.	6	11	16	20	20
V	Very Dark Skin	Rarely burns, tans easily and substantually.	8	12	17	20	20

## XP ASSEMBLY INSTRUCTIONS

**1A.** Remove lounge from box. Place lounge, bulbs facing down, on a soft surface. Remove the eight 5/16" x 1" bolts from the bench panel.

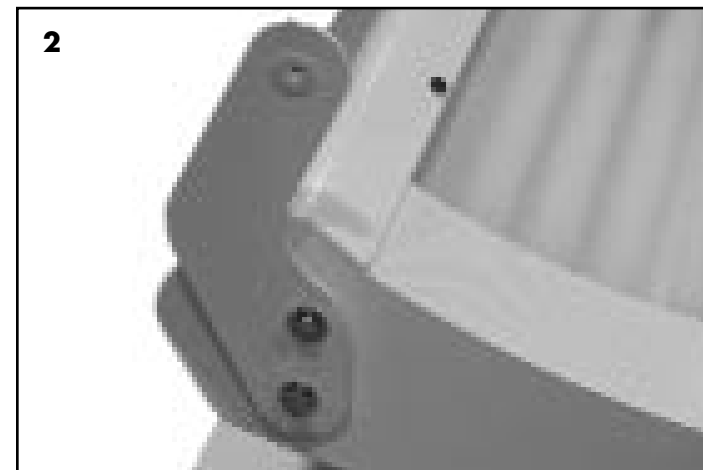
1B. Attach legs to lounge.

**1B.** Remove the 42" x 16" pieces of styrofoam from the box and place them across the bench rails (or use 2 x 4's). Remove the clevis pins from the pistons. Attach the pistons to the ball stud at each end (the smaller shaft is attached to the bench).

See step #4.

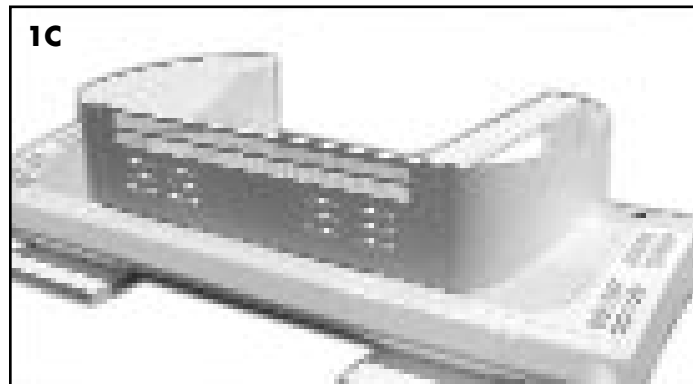
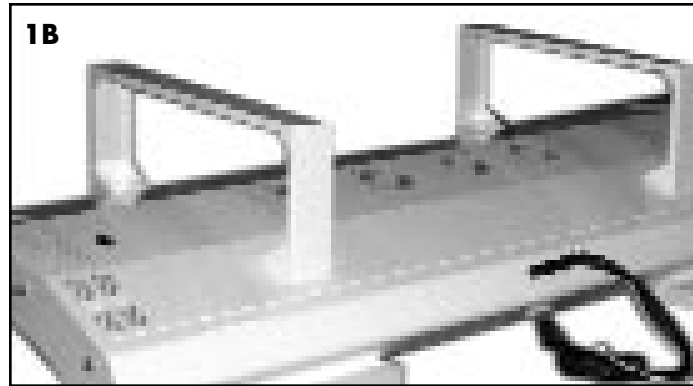
**1C.** Attach front skirt and side skirt. Side skirt installs behind front skirt with the 8 screws provided (you should be able to see into the slotted louvres) Turn bench over so it is standing on the legs. **CAUTION: DO NOT REMOVE FOAM PROTECTING THE TIMER, AS THE BUTTONS MAY TEAR WHEN TURNING OVER THE BED.**

**2.** Remove the 3/8" x 1" bolts from the ends of the lounge. Attach hinge plates. Nylon washers go between the hinge and the bed endcap.



**3.** Remove canopy from the box. Remove the 3/8" x 1.5" bolts from the ends. Place the canopy CAREFULLY on the styrofoam or 2 x 4's that you placed on the bench. **MAKE SURE YOU LINE UP THE RAILS OR THE STYROFOAM WILL BREAK.** Align the top hole of the hinge with the hole in the canopy. Install the 3/8" bolt through the shoulder washer and bushing. Tighten all bolts at this time.

5



## XP ASSEMBLY INSTRUCTIONS (continued)

**4.** Slowly raise canopy, remove 2 x 4's and attach the large end of the piston to the top ball stud. Canopy should stay in the open position.

**5.** Attach the body fan at either end of the bench using the screws provided. Plug the body fan into receptacle located beneath the bed. **DO NOT ATTEMPT TO PLUG ANY OTHER DEVICES INTO THESE RECEPTACLES.**

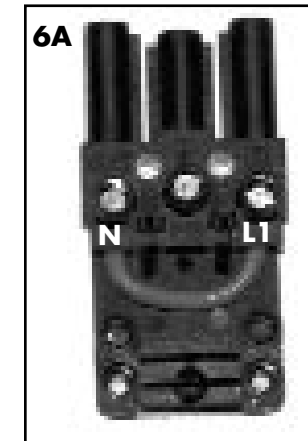
**6.** Remote timer port is located at the rear of the bed across from the timer. If you are not using a remote; be sure that the plugs are attached to each other.

A) When using a remote timer other than the T-max; remove the red jumper wire from the removable section of the plug.

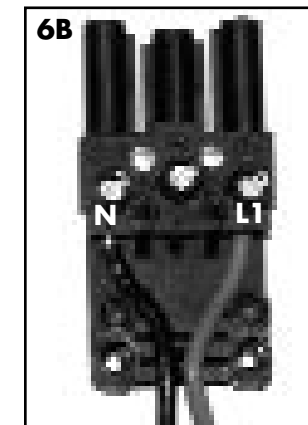
B) Install new timer wires where the red jumper was located. **DO NOT ATTEMPT TO BYPASS ON BOARD TIMER WITHOUT A SUITABLE TIMER INSTALLED AS SHOWN IN FIGURE 6C.**

*This unit is equipped with a 24 volt solid state backup timer that cannot be bypassed. The backup timer will shut down the bed and is set for the maximum exposure.*

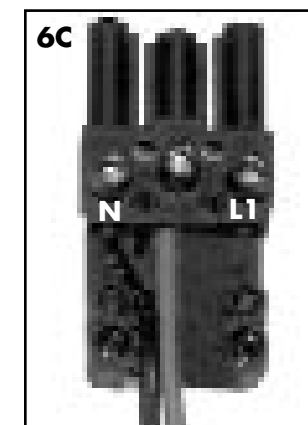
**7.** Connect canopy and bench cords together; white to white; and black to black. Plug power cord into wall receptacle. Turn bed on using the timer. Check to make sure all lamps are lit.



Jumper Wire



Jumper removed, remote timer used in conjunction with on board timer.



Onboard timer bypassed, remote timer used as only timer.



## SAFETY INSTRUCTIONS

THIS PRODUCT HAS A POLARIZED PLUG (ONE END IS WIDER THAN THE OTHER). AS A SAFETY FEATURE, THIS PLUG WILL FIT IN A POLARIZED OUTLET ONLY ONE WAY. IF THE PLUG DOES NOT FIT FULLY IN THE OUTLET, REVERSE THE PLUG., IF IT STILL DOES NOT FIT, CONTACT A QUALIFIED ELECTRICIAN. NEVER USE WITH AN EXTENSION CORD UNLESS PLUG CAN BE FULLY INSERTED. **DO NOT ATTEMPT TO DEFEAT THIS FEATURE!**

6



## DANGER! ULTRAVIOLET RADIATION

FOLLOW INSTRUCTIONS. Avoid overexposure, as with natural sunlight, overexposure can cause eye and skin injury and allergic reactions. Repeated overexposure may cause premature aging of skin and skin cancer. **WEAR PROTECTIVE EYEWARE. FAILURE TO DO SO MAY RESULT IN SEVERE BURNS OR LONG TERM INJURY TO THE EYES.** Medications or cosmetics may increase your sensitivity to the ultraviolet radiation. Consult a physician before using a sunlamp if you are using medications or have a history of skin problems or believe yourself to be especially sensitive to sunlight. If you do not tan in the sun you are unlikely to tan from the use of this product. Minimum use distance is 1 inch or 2.54 centimeters. Tanning may appear after one application provided your skin is capable of developing a suntan. Allow 48 hours between sessions to obtain a base tan. Use once or twice a week to maintain appearance. **ONLY THE INDICATED LAMPS HAVE BEEN CERTIFIED FOR USE IN THE SPECIFIED EQUIPMENT.** These products are in conformity with performance standards for sunlamp products under 21 CFR part 1040.20. Recommended eyeware provided eye shields (Lucas products corp., Super Sunnies) or equivalent eyeware as defined under 21 CFR 1040.20 2 (b)(6). One pair of protective eyeware is furnished with this equipment and should be worn by all person in the room when lamps are on. **DISCONNECT POWER CORD BEFORE ATTEMPTING TO CLEAN, RELAMP, OR ENGAGE IN THE MAINTENANCE OF THIS PRODUCT.**

**WARNING:** Read the instruction booklet before using lamps. When using this bed lie down on the bench and pull canopy down until it will move no farther. Operation of this device below recommended minimum distance for use may result in overexposure.

### 12 MINUTE BED LAMPS

Canopy-Cosmedico VHR 160W,  
Bench-Cosmedico VLR 100W, Light  
Source Signature Series Reflector  
160 W, Light Source Signature Series  
Plus Reflector 100 W or FDA equivalent.

RECOMMENDED EXPOSURE SCHEDULE			MAXIMUM EXPOSURE TIME IN MINUTES				
Skin Type			Week 1 1st-3rd sessions	Week 2 4th-6th sessions	Week 3 7th-9th sessions	Week 4 10th-12th sessions	Maximum Subsequent sessions
I	Sensitive Skin	Burns easily and severely- does not tan.	Not Recommended for tanning				
II	Light Skin	Burns easily and tans minimally.	2	4	8	10	12
III	Normal Skin	Burns moderately and tans moderately.	3	6	9	12	12
IV	Dark Skin	Burns minimally and tans above average.	5	7	10	12	12
V	Very Dark Skin	Rarely burns, tans easily and substantually.	7	9	11	12	12



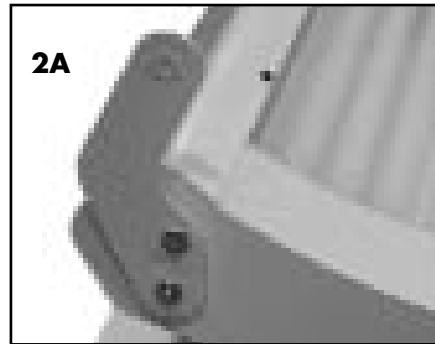
## VSS ASSEMBLY INSTRUCTIONS

**1A.** Remove lounge from box. Place lounge, bulbs facing down, on a soft surface. Remove the eight 5/16" x 1" bolts from the bench panel.

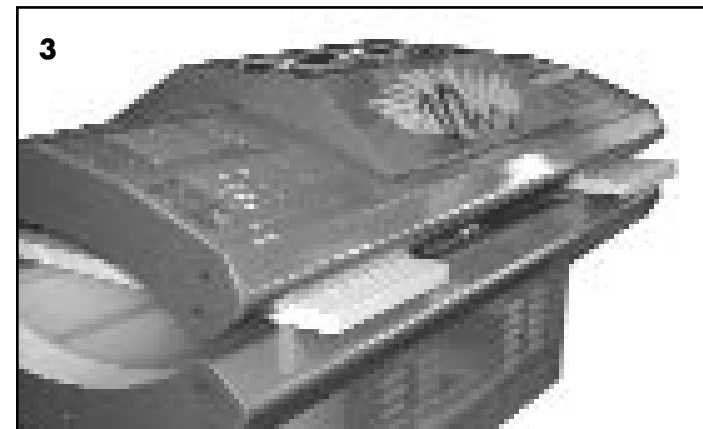
**1B.** Attach legs to lounge.

**1C.** Attach front skirt and side skirt. Side skirt installs behind front skirt with the 8 screws provided (you should be able to see into the slotted louvres) Turn bench over so it is standing on the legs. **CAUTION: DO NOT REMOVE FOAM PROTECTING FROM THE TIMER, AS THE BUTTONS MAY TEAR WHEN TURNING OVER THE BED.**

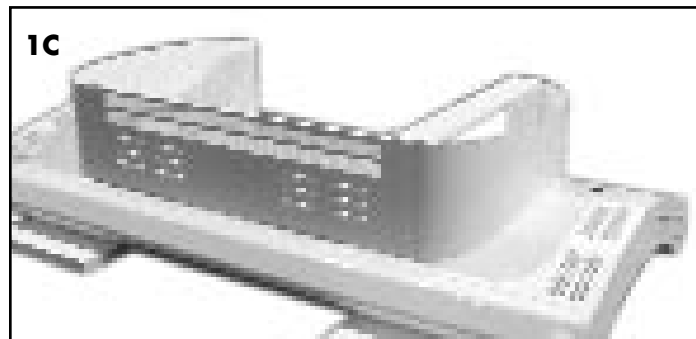
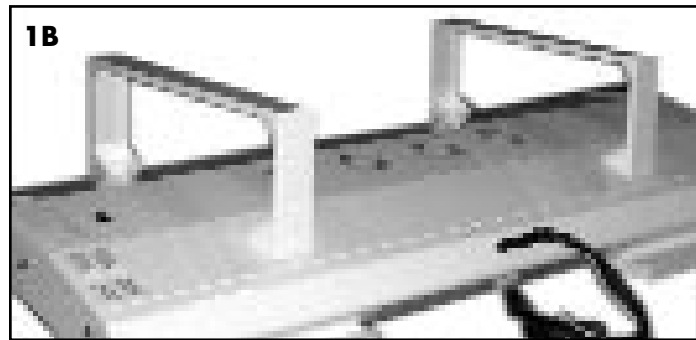
**2A.** Remove the 3/8" x 1" bolts from the ends of the lounge. Attach hinge plates. Nylon washers go between the hinge and the bed endcap.



**2B.** Remove the 42" x 16" pieces of styrofoam from the box and place them across the bench rails (or use 2 x 4's). Remove the clevis pins from the pistons. Attach the pistons to the ball stud at each end (the smaller shaft is attached to the bench). See step #4.



**3.** Remove canopy from the box. Remove the 3/8" x 1.5" bolts from the ends. Place the canopy CAREFULLY on the styrofoam or 2 x 4's that you placed on the bench. **MAKE SURE YOU LINE UP THE RAILS OR THE STYROFOAM WILL BREAK.** Align the top hole of the hinge with the hole in the canopy. Install the 3/8" bolt through the shoulder washer and bushing. Tighten all bolts at this time.

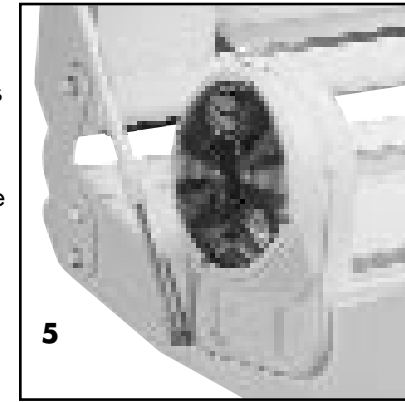


**4.** Slowly raise canopy, remove 2 x 4's and attach the large end of the piston to the top ball stud. Canopy should stay in the open position.



## VSS ASSEMBLY INSTRUCTIONS (continued)

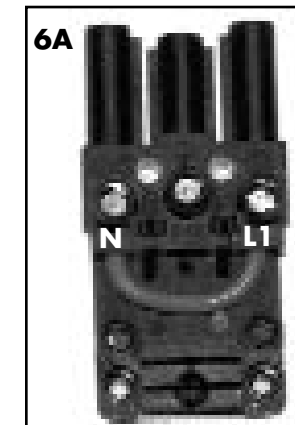
**5.** Attach the body fan at either end of the bench using the screws provided. Plug the body fan into receptacle located beneath the bed. **DO NOT ATTEMPT TO PLUG ANY OTHER DEVICES INTO THESE RECEPTACLES.**



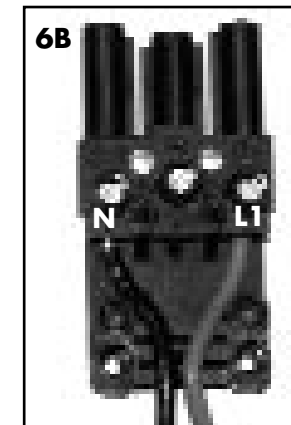
**6.** Remote timer port is located at the rear of the bed across from the timer. If you are not using a remote; be sure that the plugs are attached to each other.

A) When using a remote timer other than the T-max; remove the red jumper wire from the removable section of the plug.

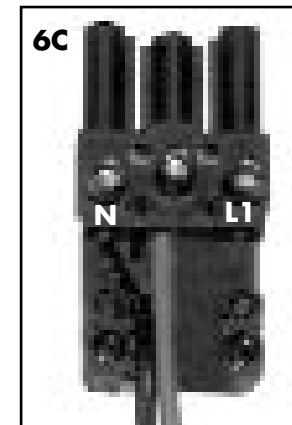
B) Install new timer wires where the red jumper was located. **DO NOT ATTEMPT TO BYPASS ON BOARD TIMER WITHOUT A SUITABLE TIMER INSTALLED AS SHOWN IN FIGURE 6C.**



Jumper Wire

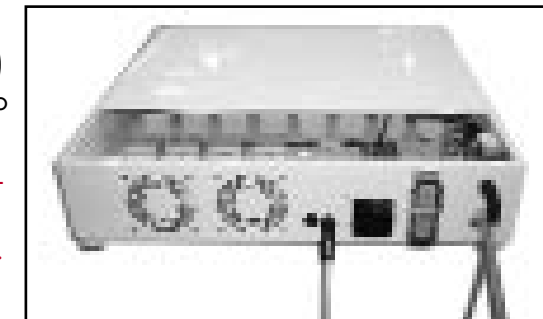


Jumper removed, remote timer used in conjunction with on board timer.



Onboard timer bypassed, remote timer used as only timer.

**7.** Connect canopy and ballast box cords together, white to white. Plug in black pole connector from bench to mate on ballast box. Plug in 16 pole connector (grey) to mate inside ballast box. Plug in 8 pole connector (white) to mate inside ballast box. Attach ground wire to box with screw provided. Attach strain relief plate with 4 screws. Connect 3 wires (10AWG) from electrical box on the back of ballast box to your incoming power source. You must use a suitable strain relief. **BE SURE TO OBSERVE ALL LOCAL CODES AS WELL AS THE NATIONAL ELECTRICAL CODE WHEN WIRING THIS BOX.** Turn bed on using the timer.



## VSS UNIT SPECIFICATIONS

Length: 84" overall

Width: 38.5"

Weight: 4000VSS-440 lbs. 5000VSS-450 lbs.

6000VHR-465 lbs.

Room dimensions (minimum) 8'x8'

**NOTE: Smaller rooms may be used as long as there is adequate ventilation for the unit. Higher temperatures will result in shortened lamp life and possible component failure.**

Electrical:

220-240VAC, 220 Volt, 3 wire, (2 hot, 1 ground)

Receptacle:

USE ONLY NEMA 6-30R

Amperage:

4000VHR-18 amp draw, 30A double pole breaker

5000VHR-22 amp draw, 30A double pole breaker

6000VHR-24 amp draw, 40A double pole breaker

**NOTE: If actual voltage is not between 220-240 VAC, you will need a buck boost transformer to correct the deficiency in your incoming power. Failure to do so will create undue stress on your unit and will void warranty.**

## SAFETY INSTRUCTIONS

THIS PRODUCT HAS A POLARIZED PLUG (ONE END IS WIDER THAN THE OTHER). AS A SAFETY FEATURE, THIS PLUG WILL FIT IN A POLARIZED OUTLET ONLY ONE WAY. IF THE PLUG DOES NOT FIT FULLY IN THE OUTLET, REVERSE THE PLUG. IF IT STILL DOES NOT FIT,

CONTACT A QUALIFIED ELECTRICIAN. NEVER USE WITH AN EXTENSION CORD UNLESS PLUG CAN BE FULLY INSERTED. **DO NOT ATTEMPT TO DEFEAT THIS FEATURE!**

# DIGITAL TIMER INSTRUCTIONS • Sunsource-Tmax Series

## Setting Parameters

Note: If you are using a T-Max® Manager and multiple T-Max® 3As, remove power from the T-Max® Manager. Keep power removed from the T-Max® Manager until all parameter changes are complete.

- 1) Apply power to the T-Max® 3A
- 2) Press and hold the Start/Stop and Up buttons on the T-Max® 3A until a .1 appears on the display. This should take about 5-6 seconds. Release the Start/Stop button.
- 3) Press the Up and Down Buttons until the parameter number that you want is displayed.
- 4) Press the Start/Stop Button to observe the current value for that parameter.  
The Display will show a number with a period in the lower center of the display. The numbers will stop flashing and stay illuminated. The number shown is the current value for that parameter.  
For Lamp Hours, Session Counts, etc. the value displayed can be as high as 9999. To display this value, the T-Max® 3A will flash two numbers-three times, then two numbers-three times, pause, two numbers-three times, two numbers-three times, pause, etc. For example, if you are checking lamp hours (Parameter 6) and the display flashes the numbers 53 three times, then 14 three times, pauses then repeats, then the total lamp hours stored in that T-Max® 3A is 5314.
- 5) Press the Up and Down buttons to change the parameter to the desired value.  
If you want to clear the value for that parameter, press the Up and Down buttons at the same time until the display shows “.0”.
- 6) Press the Start/Stop Button.  
The display will show the parameter number you just changed and a solid period in the lower center of the display. You may now change another parameter by pressing the Up and Down buttons until the parameter you want displayed. Repeat Steps 2-4.
- 7) To exit the Parameter mode and make the T-Max® 3A available for the next session, press and hold both the Up and Down buttons until the display shows a 0 with no periods displayed.

**Table 1 - Parameter Numbers for Observing and Changing Parameters.**

Parm #	Description	Max #	Default	Notes
1	Address	255	254	Address of T-Max® 3A
2	Beep Mode	1	0	Used for Half session alarm 0= No Alarm only, 1=Alarm for 10 seconds
3	Delay Time	5	0	Delay in minutes stored in the T-Max® 3A.
5	Session Counts	65535	0	Total session counts for T-Max® 3As.
6	Lamp Hours	65535	0	Bulb hours for each bed.
7	Bed Hours	65535	0	Number of hours a bed is on.
8	Manual Session	65535	0	Counts the number of sessions the T-Max® 3A has run while in Stand Alone Counts Mode
9	Clean Room	1	1	0 = Clean Room Disabled, 1 = Enabled
10*	Manual Lockout	1	0	0 = Stand Alone Enabled, 1 = Disabled
13	Cool Down Mode	10	0	0 = Disabled, 1-10=Enabled. Time delay in minutes allowing bed to cool.
15	Fixed Session Counts	65535	0	Counts number of sessions ran through the T-Max® 3A. This value cannot be changed at all. Used as point of reference.
17	Clean Clear	1	0	0 = Press and hold the Up button for 3-4 seconds to clear the clean room. 1 = Press and release the Up button to clear instantly
18	Redisplay	2	0	0 = After a session ends and the clean room is cleared, the T-Max® 3A will show a 0. 1 = After session ends and the clean room is cleared, the T-Max® 3A will show the last session time entered. 2-10 = After the session ends and the clean room is cleared, the max. time will show on the T-Max® 3A.
22	Pause time	1	0	0 = When bed is paused, session time will continue to count down. 1 = When bed is pause, session time will not count down.

## 2.2.1 Setting the Address

- 1) Apply power to the T-Max® 3A. It will be buzzing with a 99. Press the Start/Stop button, and it will flash an 88. Press the Up button and the 88 will stop flashing.  
Note: If you are using a T-Max® 3A as a stand-alone timer, you need not go any further.
- 2) Press and hold the Start/Stop and Up buttons until a .1 appears on the display. This should take about 5-6 seconds. Release the Start/Stop button.
- 3) Press and release the Start/Stop button. A period, number (i.e. .3) will be illuminated with the number flashing. Pressing and holding the Up button will cause the display to count up. Once the count reaches 100, the center period will flash rapidly. This is an indication that you are over 99. For example, if the display shows a 0.2 with the period flashing, this is address 102. The highest the display will count up is 254.
- 4) Press the Up or Down buttons until the address is displayed.  
Note: Set each T-Max® 3A to a unique address. Do not set any address to 00. Do not set any address over 100. If the period is flashing, you are over address 100.
- 5) Press the Start/Stop button. A .1 will be displayed, with the 1 not flashing.  
To exit Parameter Mode, press and hold the Up and Down buttons until a 0 is displayed.

## 2.2.2 Setting Delay Time.

- 1) Press and hold the Start/Stop and Up buttons until a .1 appears on the display. This should take about 5-6 seconds. Release the Start/Stop button.
- 2) Press the Up and Down Button until a .3 is displayed.
- 3) Press and release the Start/Stop button. A number will appear on the display and be flashing. A period will be illuminated in the center of the display. This is the current delay time.
- 4) Press the Up and Down Button until the desired delay time is displayed. The highest delay time that can be set on the T-Max® 3A is 10 minutes. If you want no delay time, set the display to 0. If you set the Delay Time to 0, the session time will start immediately after the Start/Stop button is pressed.
- 5) Press the Start/Stop button until a .3 is displayed. The 3 will not flash.  
To exit Parameter Mode, press and hold the Up and Down button until a 0 is displayed.

## 3. IN-ROOM SINGLE BED CONTROL

### 3.1 Starting a Session

- 1) Press the Up or Down Button on the T-Max® 3A until the session time is displayed. If the display shows a 0, and you want to count down from the maximum time, press the down button.
- 2) Press and release the Start/Stop button to start the session.  
If a delay other than 0 is entered, the delay will count down. A period on the lower right corner of the display will flash rapidly. When the session starts, the period will flash at a once per second rate.

### 3.2 Pausing a Session

To pause the session press the Start/Stop button. The flashing period on the lower right corner of the display will stop flashing. The session time will continue to count down. To restart the session, press the Start/Stop button on the T-Max® 3A. The period on the lower right corner of the display will resume flashing.

### 3.3 Canceling a Session.

To cancel a session, press the Start/Stop button to pause the session then press the Up button. The display will show a solitary 0.

## 4.1 WIRING

Place one T-Max® 3A at the desired remote location. Connect the 9V @ 200mA power supply to the power in on the back of the T-Max® 3A. Plug the power supply into a 120VAC outlet (refer to Figure A, Section 10.1). Connect the T-Max® 3A in the remote location to the tanning bed as described in Section 2. Run the provided modular cable from the tanning room to the remote T-Max® 3A. Connect the modular cable to one of the RJ-22 ports on each T-Max® 3A.

## 4.2 CONFIGURATION

Set the address on the T-Max® 3A in the tanning room to "1", and the address on the T-Max® 3A at the front desk to "0" as described in Section 2.2.1. Disconnect the modular cables when setting the addresses on both T-Max® 3As. Use the Front Desk T-Max® 3A to set the Delay as described in Section 2.2.2. Any delay time set on the T-Max® 3A in the tanning room will be ignored.

## 4.3 SESSION CONTROL

### Starting a session

- 1) Press the Up or Down Button on the T-Max® 3A at the front desk until the session time is displayed.
- 2) Press the Start/Stop button on the front desk T-Max® 3A to start the session. If a delay other than 0 is set, the delay will count down. A period on the lower right corner of the display will flash rapidly. When the session starts, the period will flash at once per second rate. If there is no delay entered, the session will start immediately.

### Pausing During the Session

To pause the session press the Start/Stop button on the T-Max® 3A in the tanning room. The flashing period on the lower right corner of the display will stop flashing and stay illuminated. The session time will continue to count down and reflect the remaining session time. To restart the session, press the Start/Stop button on the T-Max® 3A in the tanning room. The period will continue flashing.

### Canceling a Session

Press the Up and Down buttons on the T-Max® 3A at the front desk at the same time.

## 5. USING THE T-Max® 3A WITH A T-Max® Manager or T-Max® Manager/Plus

- 1) Connect the T-Max® 3A to the tanning bed as described in Section 2.1.
  - 2) Set the address on each T-Max® 3A as described in Section 2.2.1.
  - 3) Connect T-Max® 3As together using the provided modular cables. Connect T-Max® Manager or T-Max® Manager/Plus to the closest T-Max® 3A in the line. Refer to the T-Max® Manager or T-Max® Manager/Plus User's Guide for operation.
- Note: The T-Max® Manager or the software you are using if you are using a PC controls Delay.

## 6. CLEAN ROOM

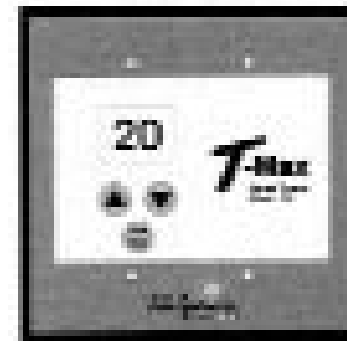
Once the session time has elapsed, the display will show two solid periods only. This is an indication that the room needs to be cleaned. To clear the clean room indication, press and hold the Up button on the T-Max® 3A in the tanning room until the two periods disappear and a "0" appears. To disable the clean room feature, set parameter 9 to a 0. (Refer to Section 2.2)

## 7. HALF SESSION ALARM

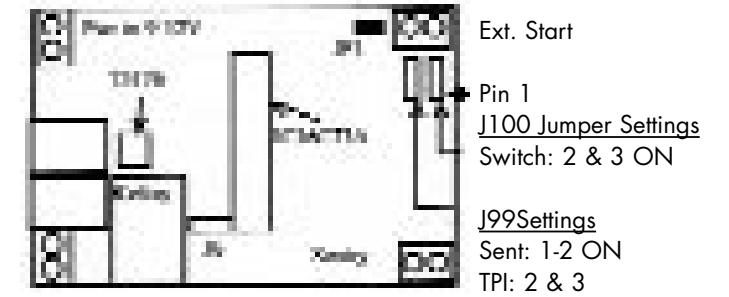
With this option, the T-Max® 3A on the bed will sound an alarm half way through the tanning session. This is an indication that the person has half of their time left. Parameter 2 enables or disables the Half Session alarm. Refer to Section 2 on changing parameters. When enabled, the T-Max® 3A will beep for 10 seconds half way through the active session.

## 10.FIGURES

### 10.1 FIGURE A - FRONT AND REAR VIEWS OF THE T-Max® 3A



Front View of T-Max® 3A



Rear View of T-Max® 3A PCB

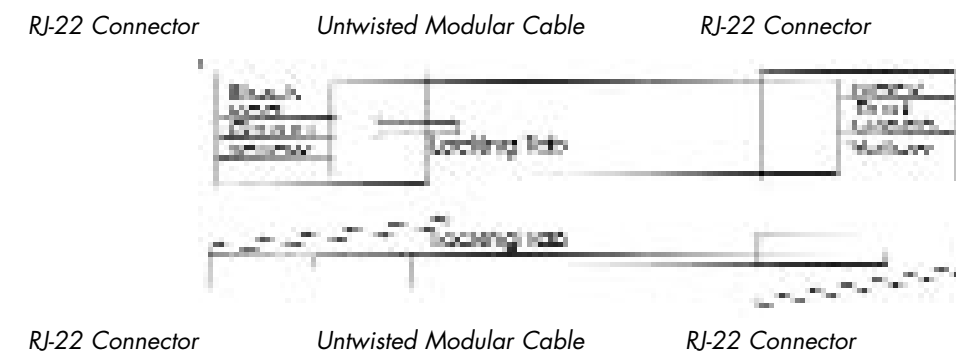
### Screw Terminal Descriptions:

- J4 - PWR IN 9-12V: Connect 9-12V power supply to this terminal.
- J3 - Contact: Connect the two wires from the tanning bed to these screw terminals.
- J5 Sense: Connect the two wires from the T-Max® Sentry™ to these screw terminals.
- J6: Connector to connect external speaker for higher volume alarm.



### 10.2 FIGURE B - MODULAR CABLE PINOUTS

Note: with clip facing up and the cable facing you, the black wire is on the right for both ends



### Modular Cable Pinouts

Modifying the cables provided with each T-Max® 3A voids the stated warranty on the T-Max® 3A. If you need longer cables, contact your dealer or Salon Systems, Inc. If you are not careful in making your own cables, the system may not work properly!

Note: If you are making your own cables, you will need a tool for connecting RJ-22 connectors. Call Techni-Tool @ 1-800-832-4866 and ask for part.



## TROUBLE SHOOTING

Call 800-832-8267 or your nearest Sunsource dealer.

### 1. BED WILL NOT LIGHT

- A. Bed is not plugged in
- B. Breaker is not on
- C. Timer is not turned on
- D. Incorrect Voltage
- E. Remote Timer plug missing or loose
- F. Faulty wiring- contact service department
- G. 7-Pole Plug not intact

### 2. CANOPY WILL NOT LIGHT

- A. Canopy not plugged into box
- B. Faulty wiring- contact service department

### 3. LAMP WON'T LIGHT

- A. Lamp not seated in socket correctly
- B. Faulty Lamp
- C. Faulty or Loose starter or socket
- D. Faulty or Loose wiring

### 4. BED RUNNING HOT

- A. Incorrect Voltage
- B. Improper ventilation
- C. Fan clogged or not working
- D. White cords in back not connected

### 5. LAMPS NOT TANNING

- A. Acrylic, lamps, and reflectors are dirty
- B. Acrylic not transmitting UV
- C. Lamps are worn out

### 6. BED WON'T TURN OFF

- A. Faulty timer, back up timer, or contactor

### 7. CANOPY WILL NOT STAY IN THE UP POSITION

- A. Pistons on upside down-reverse
- B. Pistons worn out.

### 8. FANS RUNNING ALL THE TIME

- A. Faulty fan relay

## CARE & CLEANING

**CAUTION: disconnect unit from power source before removing the acrylic shield. Avoid cleaning solution from entering lamp compartment.**

After each session is completed; spray the acrylic surface with a special disinfectant cleaner that is safe to use on acrylic shields; such as CAL CARE. Wipe all the surfaces dry with a clean, soft cloth. Do not allow the spray to gather in the acrylic channel.

For optimum results; periodic cleaning of the back side of the acrylic as well as the lamps and the reflectors should be done. New lamps should always be cleaned before installation.

To obtain repairs and compliant replacement parts such as protective eyewear; reflectors; lamps; acrylics; and any other electric components; contact the manufacturer of this unit or one of their authorized distributors. Failure to do so may remove this unit from compliancy with 21 CFR 1040.20 and may void any warranties this unit carries.

## RELAMPING INSTRUCTIONS

**CAUTION: Replace with original lamp listed on the unit or a FDA compatible lamp only. Failure to do so may cause damage to the unit or harm the person tanning.**

1. Disconnect the unit from the power source.
2. Remove acrylic shield from the unit by removing the two set screws on the rear rail. Slide the acrylic towards the rear of the unit and remove from the front channel.
3. Remove lamp by gently twisting until pins in the end align with slots in lamp holder. Lift out carefully.
4. Wipe down reflectors and new lamps.
5. Install new lamp and gently twist until clicks in place. DO NOT FORCE.
6. Clean and replace acrylic shield and set screws.

## SUNSOURCE MAINTENANCE SCHEDULE

### DAILY

- 1/ Visually inspect bed for any problems.
- 2/ Wipe clean the outside of bed.

### WEEKLY

- 1/ Check pistons & piston bolts to make sure that they are tight.

### MONTHLY

- 1/ Disconnect Power
- 2/ Remove lamps and wipe clean.
- 3/ Clean the inside of acrylic.
- 4/ Remove and clean reflectors.
- 5/ Vacuum out all the dust from the entire bed and fans.
- 6/ Check acrylics for damage (replace if necessary)

DO NOT INTERCHANGE CANOPY AND BENCH ACRYLICS

### QUARTERLY

- 1/ Remove pistons and grease the piston balls and sockets. Check piston bolts for proper position.
- 2/ Check voltage to make sure its at an appropriate level. (230V-240V)
- 3/ Replace lamps if needed.

## SUNSOURCE REPLACEMENT SCHEDULE

Lamps (Standard)- replace every 600-1000 hours

Lamps (VHO)- replace every 400-700 hours

Lamps starters- replace every other lamp change

Acrylics- replace every 1500 hours

## SUNSOURCE BED LAMP COMPATIBILITY

### 10 Minute XP beds

Light Source Equator Sun 100 W  
Light source Beach Sun Reflector 100 W  
Cosmedico Hi-Tan 100 W

### 12 & 15 Minute VSS beds

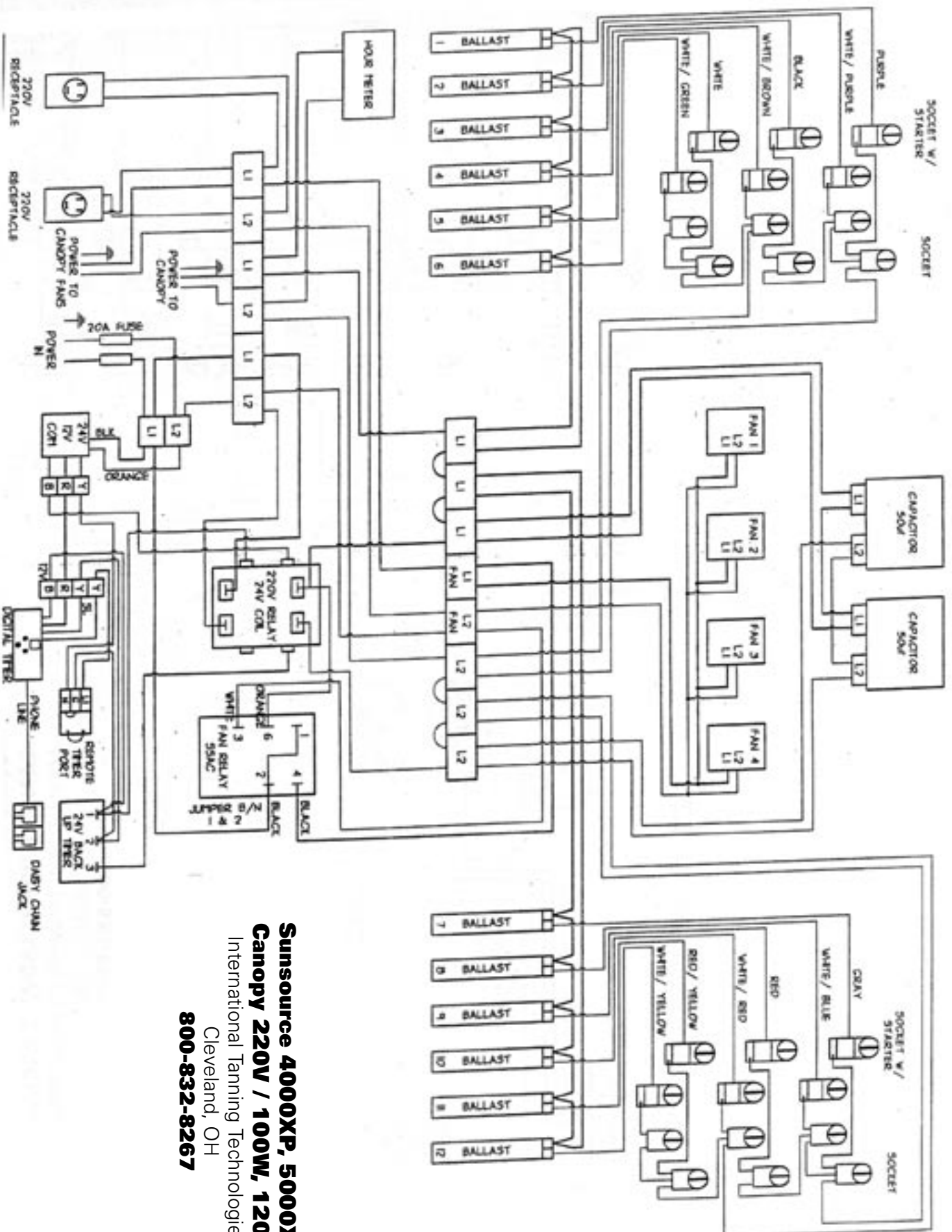
Light Source Signature Series Reflector 160 W  
Light Source Signature Series Plus Reflector 100 W  
Light Source Signature Series Reflector 160 W  
Light Source Signature Series Plus Reflector 100 W  
Cosmedico Cosmolux VHR 160 W  
Cosmedico Cosmolux VLR 100 W  
Cosmedico Cosmolux VHR-TT 160 W  
Cosmedico Cosmolux VLR-TT 100 W  
Phillips Swift Reflector 160 W  
Phillips Swift Reflector 100 W  
Brilliance Europower Reflector 160 W  
Brilliance Europower Reflector 100 W

### 15 Minute XP beds

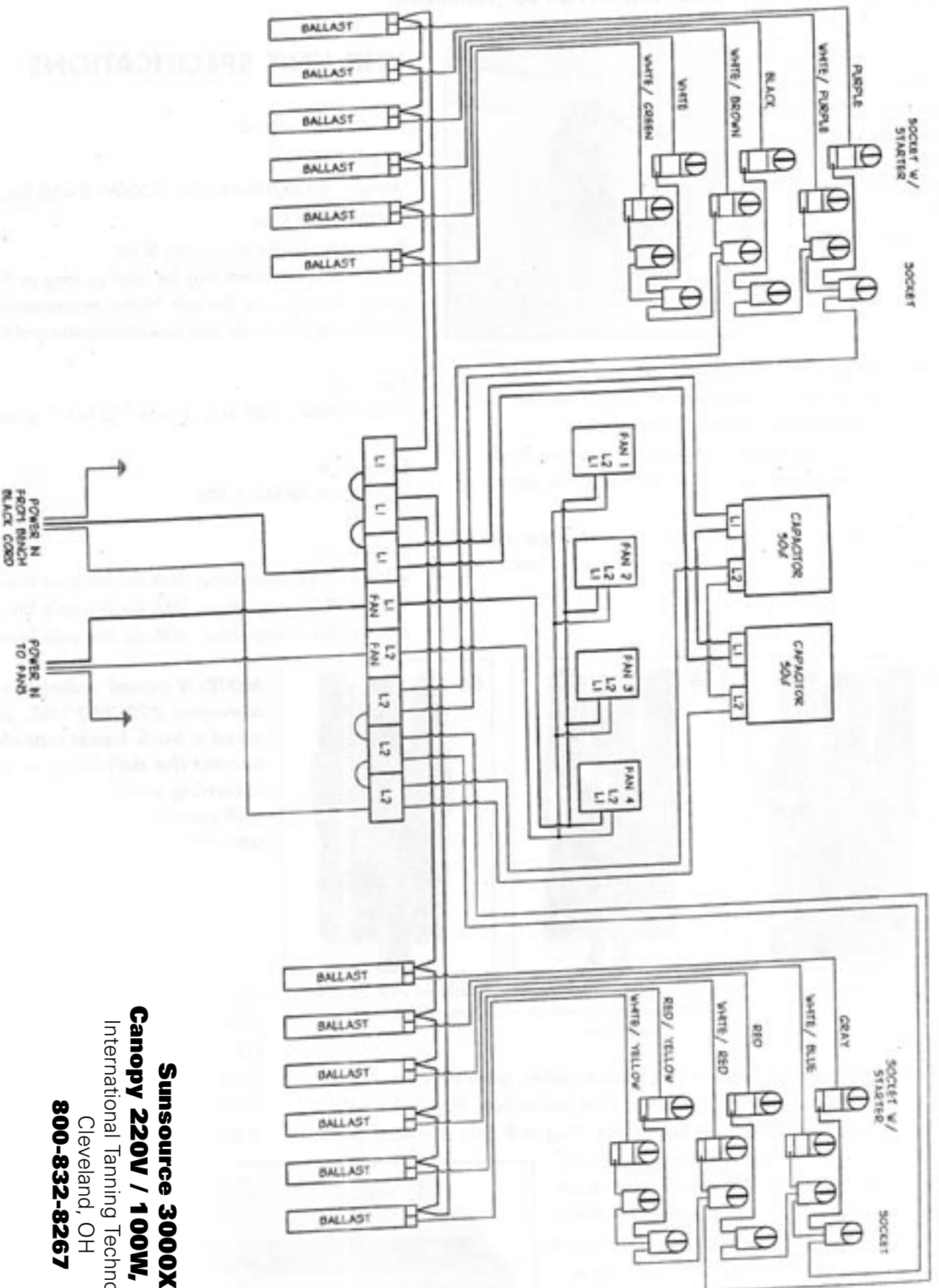
Light Source Midday Sun Reflector 100 W  
Light Source Dual Sun Reflector 100 W  
Phillips Advantage Reflector 100 W

### 20 Minute XP beds

Light Source Midday Sun 100 W  
Light Source Beach Sun 100 W  
Light Source Dual Sun 100 W  
Light Source Signature Series Reflector 100 W  
Brilliance 5.0 100 W  
Brilliance 6.5 100 W  
Cosmedico Goldarium Plus 100 W  
Cosmedico ESP 100 W  
Cosmedico Cosmolux VLR 100W  
Cosmedico Cosmostar 100 W  
Wolff Everglo 100 W  
Wolff Dominion 100 W  
Wolff Bellarium S 100 W  
Phillips Swift Reflector 100 W

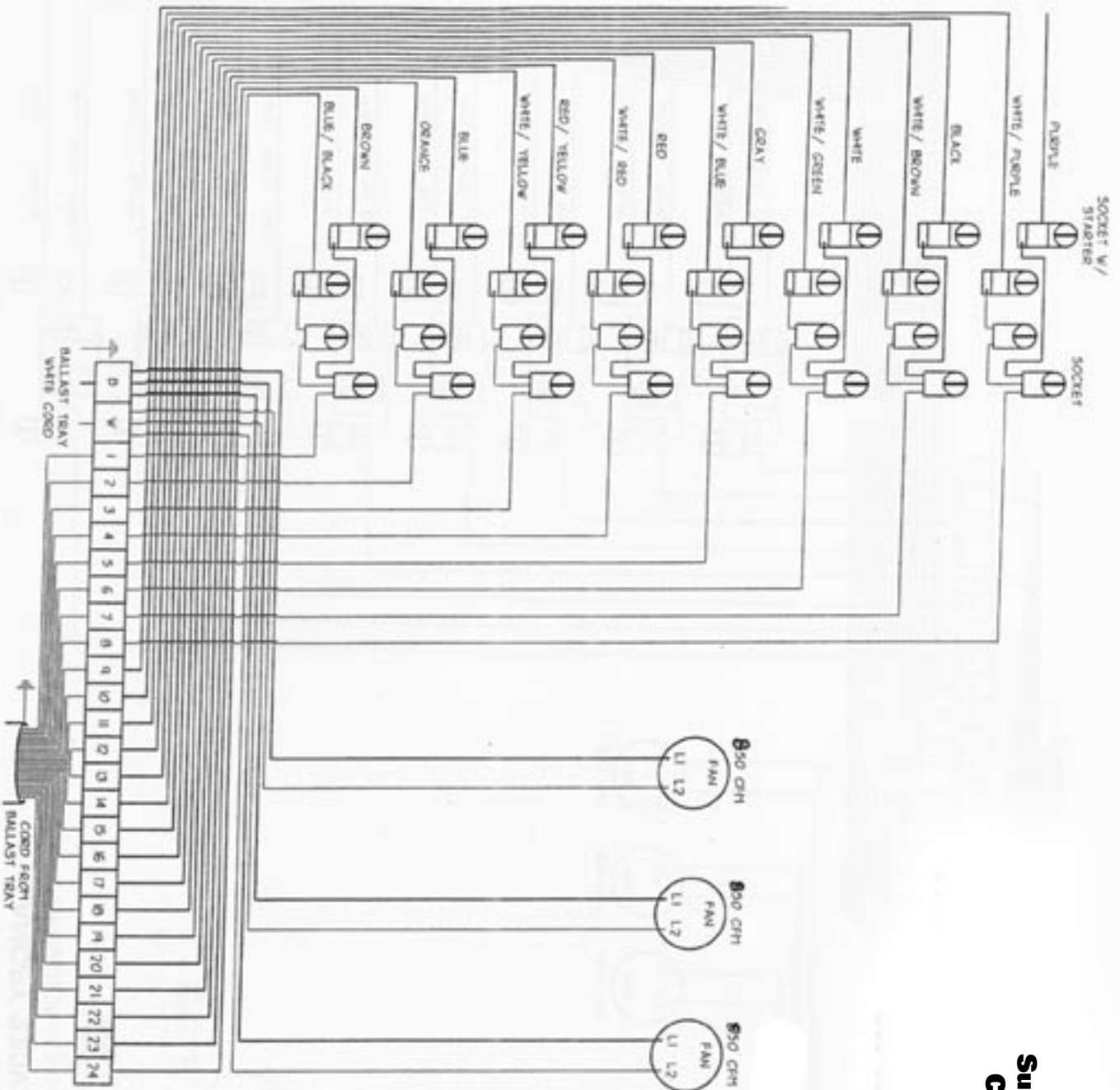


**Sunsource 4000XP, 5000XP**  
**Canopy 220V / 100W, 120W**  
 International Tanning Technologies  
 Cleveland, OH  
**800-832-8267**

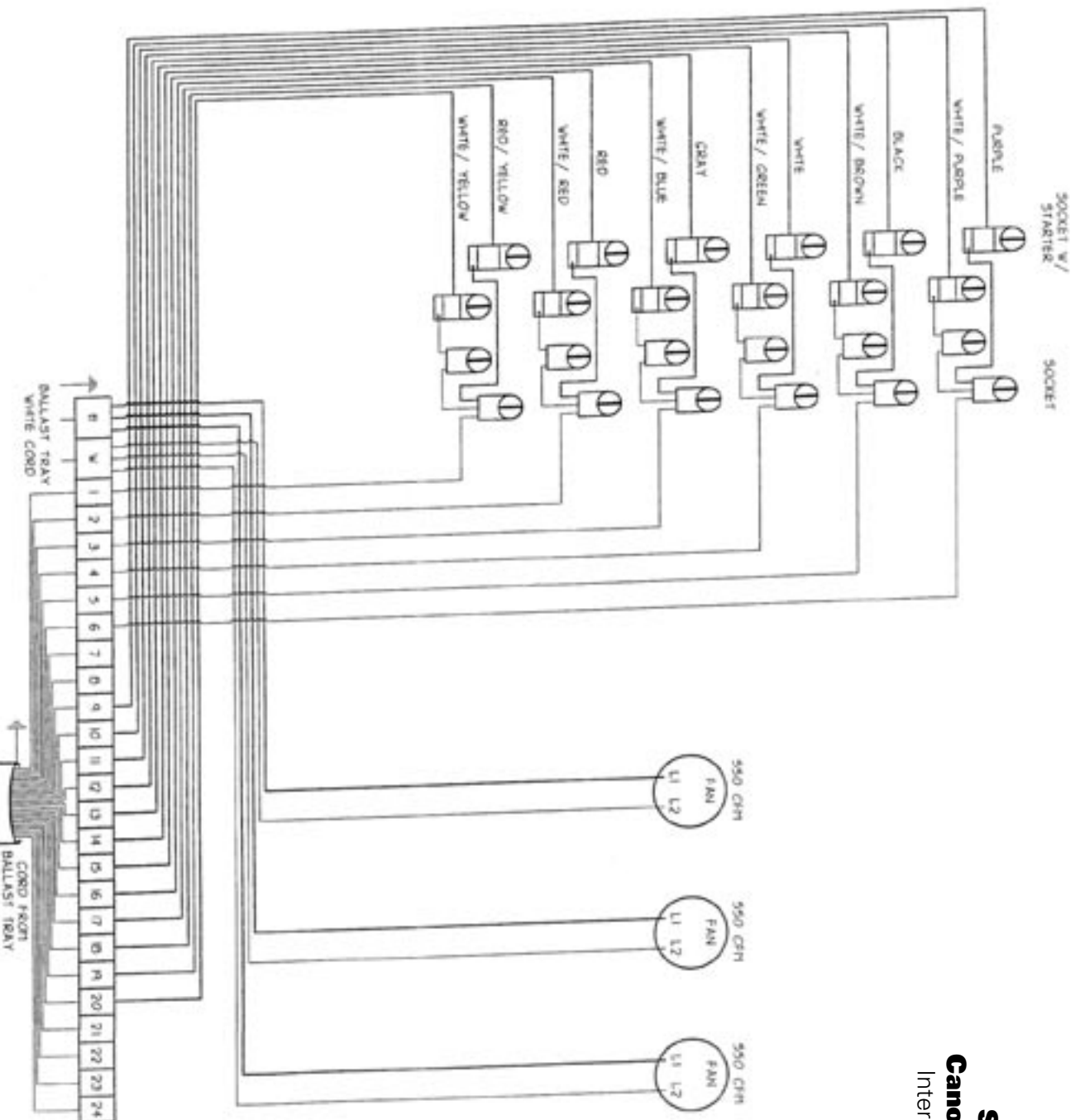


**Sunsource 3000XP**  
**Canopy 220V / 100W, 120W**  
 International Tanning Technologies  
 Cleveland, OH  
**800-832-8267**

**Sunsource 5000VSS, 6000VSS**  
**Canopy 220V / 160W, 180W**  
 International Tanning Technologies  
 Cleveland, OH  
**800-832-8267**

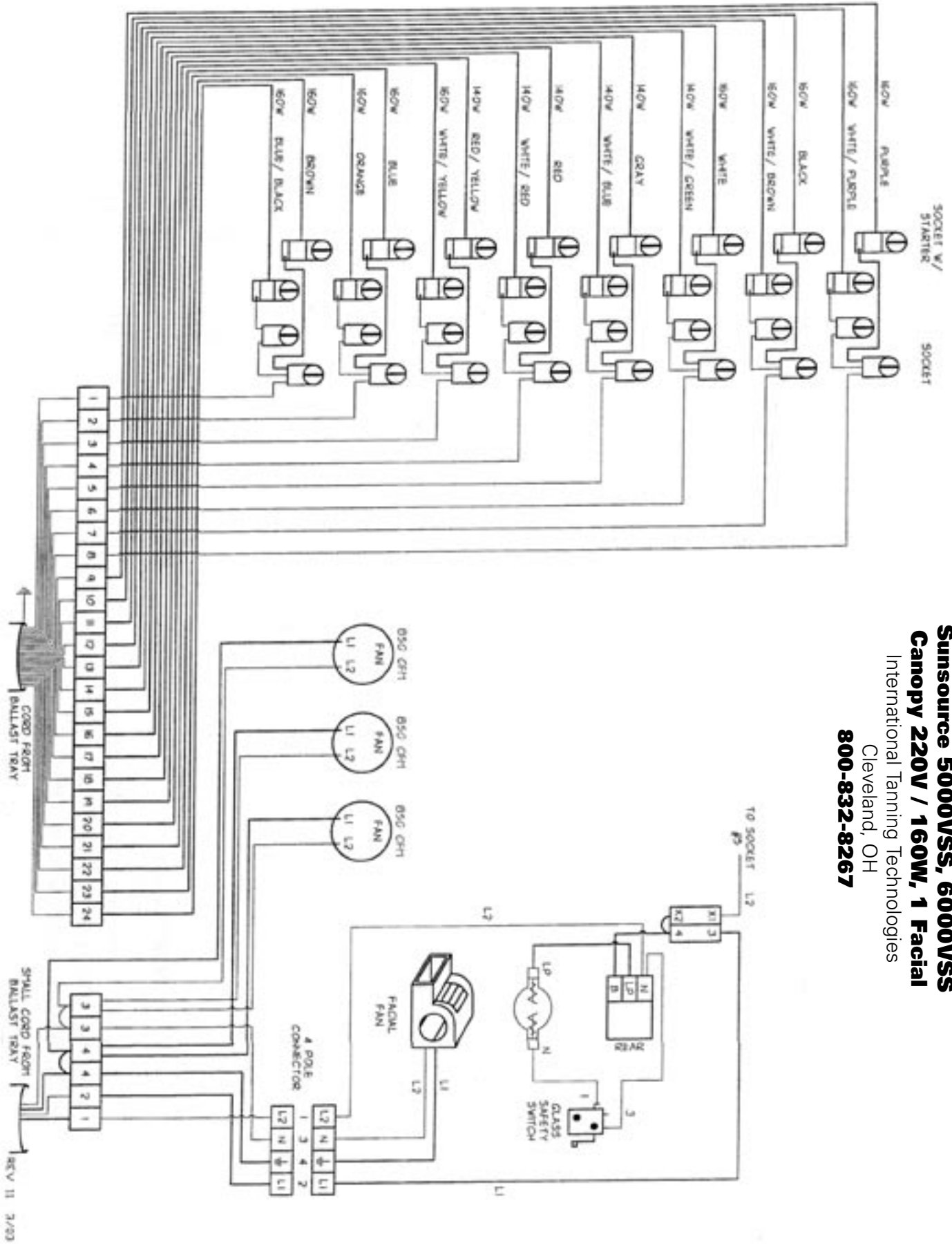
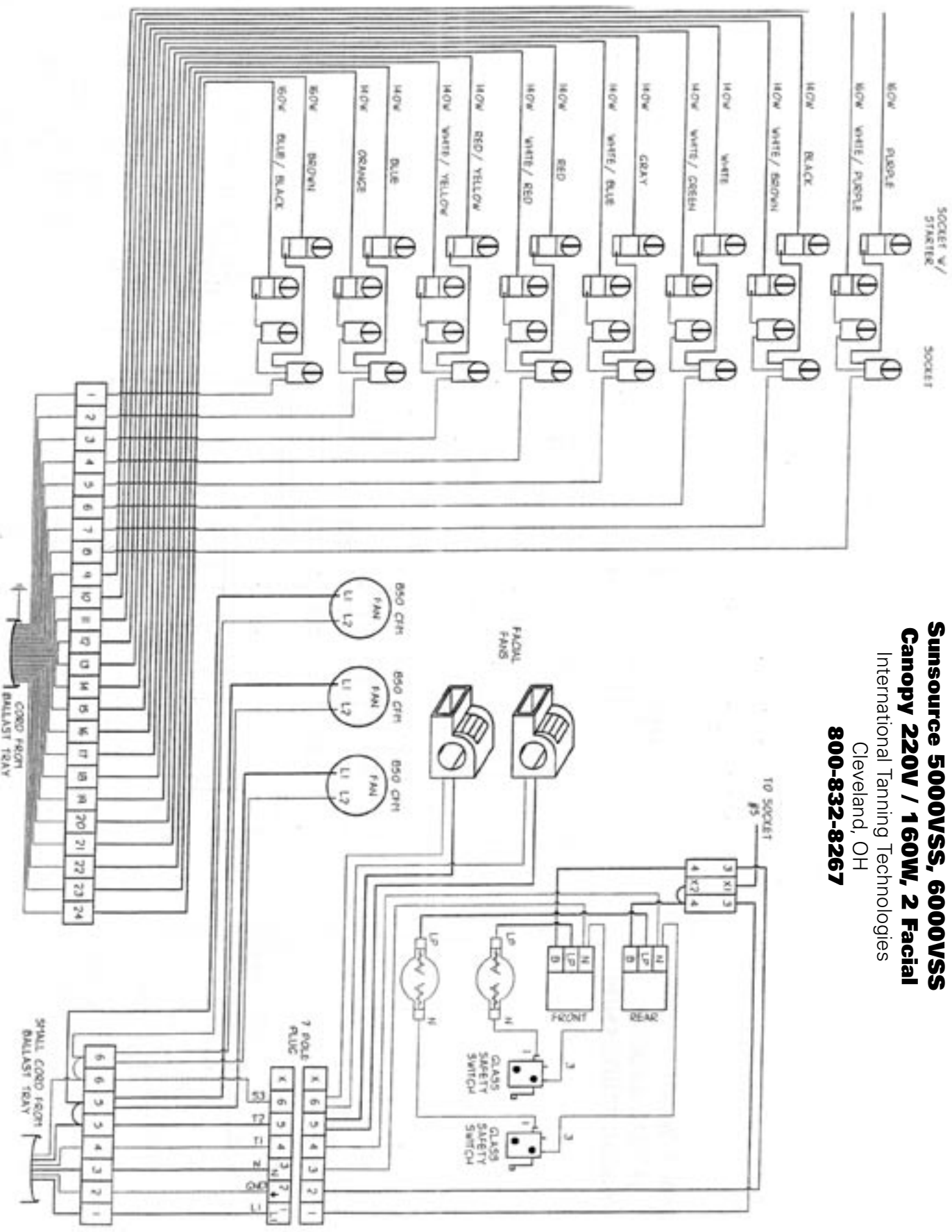


REV B 01/03

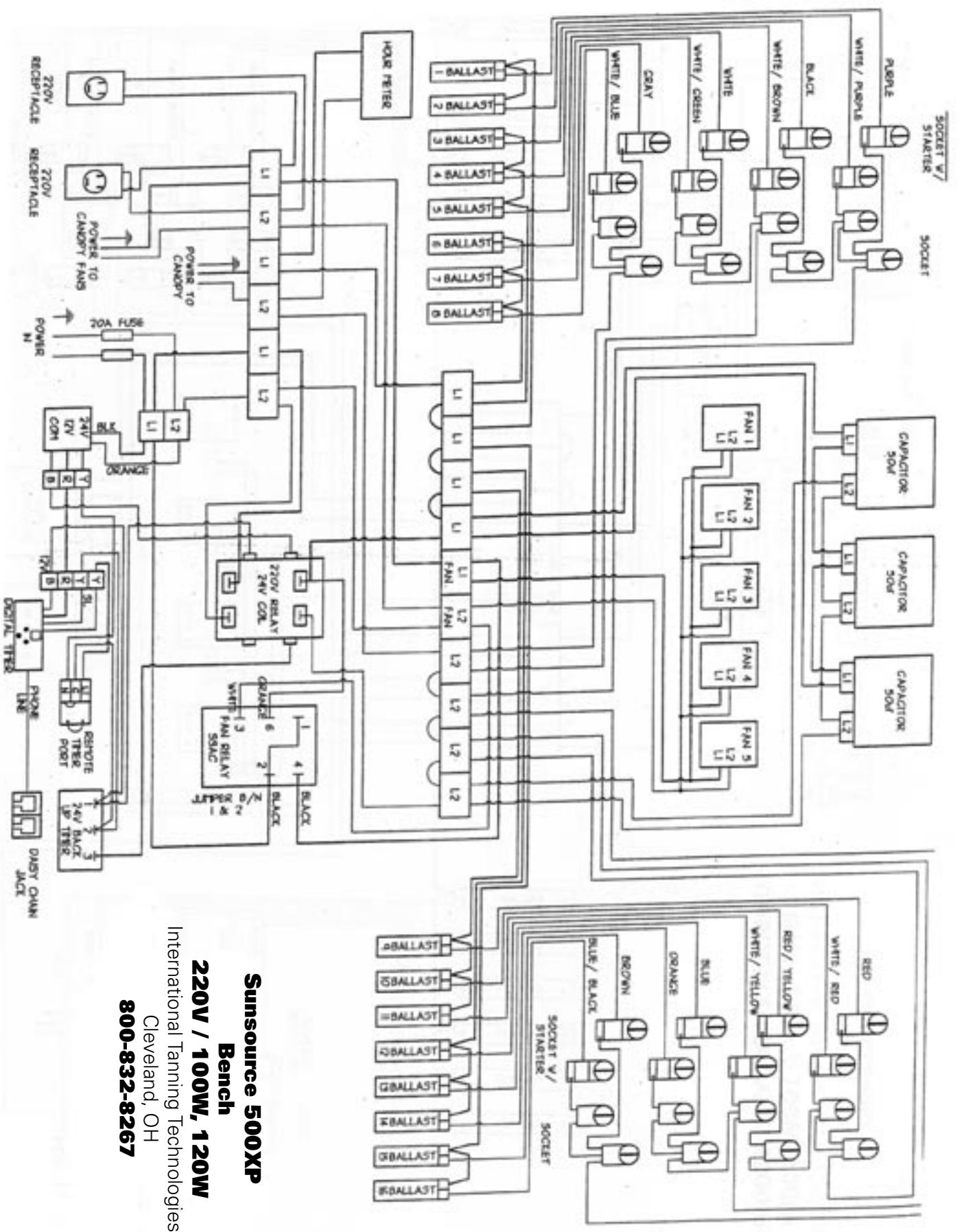


**Sunsource 4000VSS**  
**Canopy 220V / 160W, 180W**  
 International Tanning Technologies  
 Cleveland, OH  
**800-832-8267**

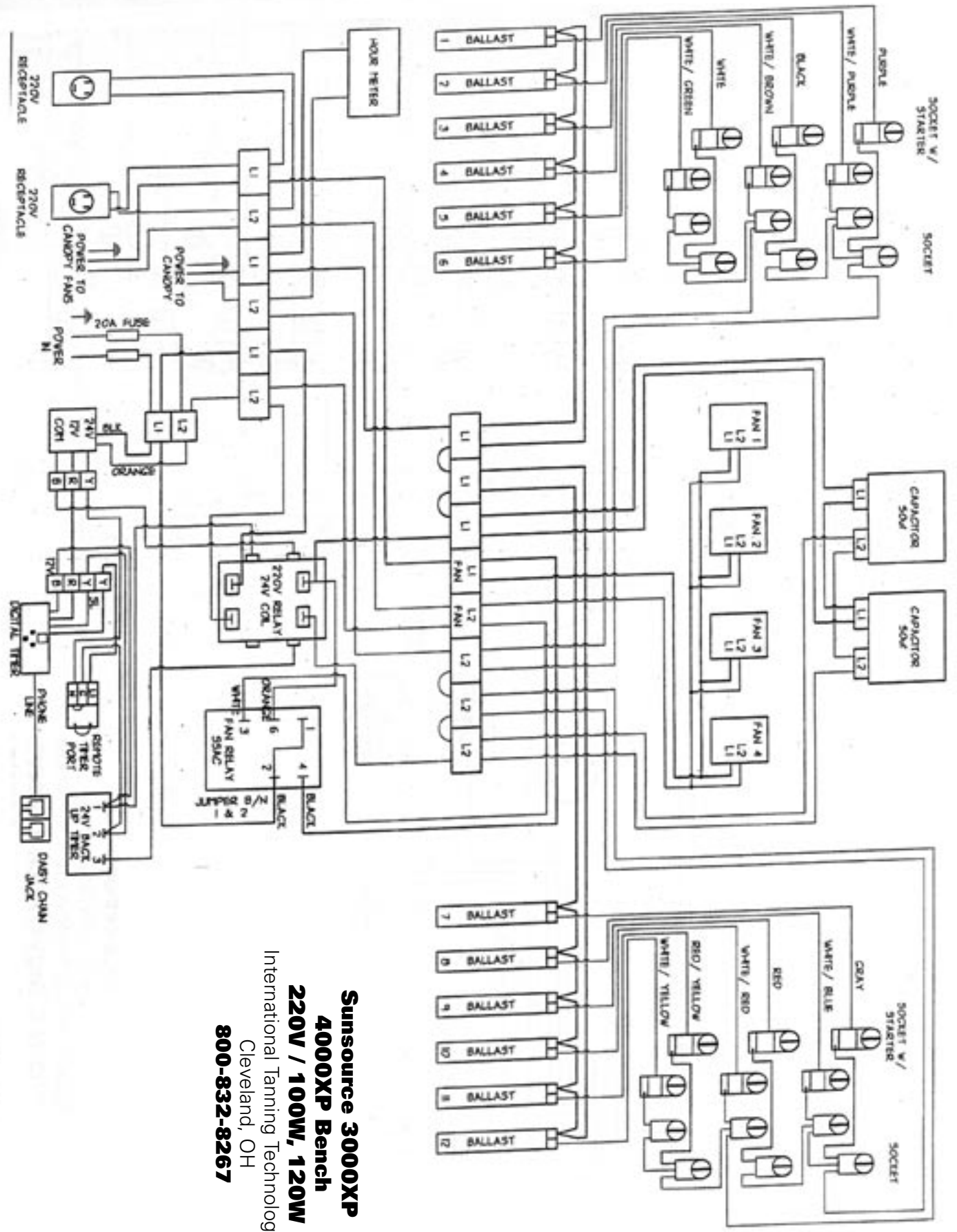
**Sunsource 5000VSS, 6000VSS  
Canopy 220V / 160W, 2 Facial**  
International Tanning Technologies  
Cleveland, OH  
**800-832-8267**



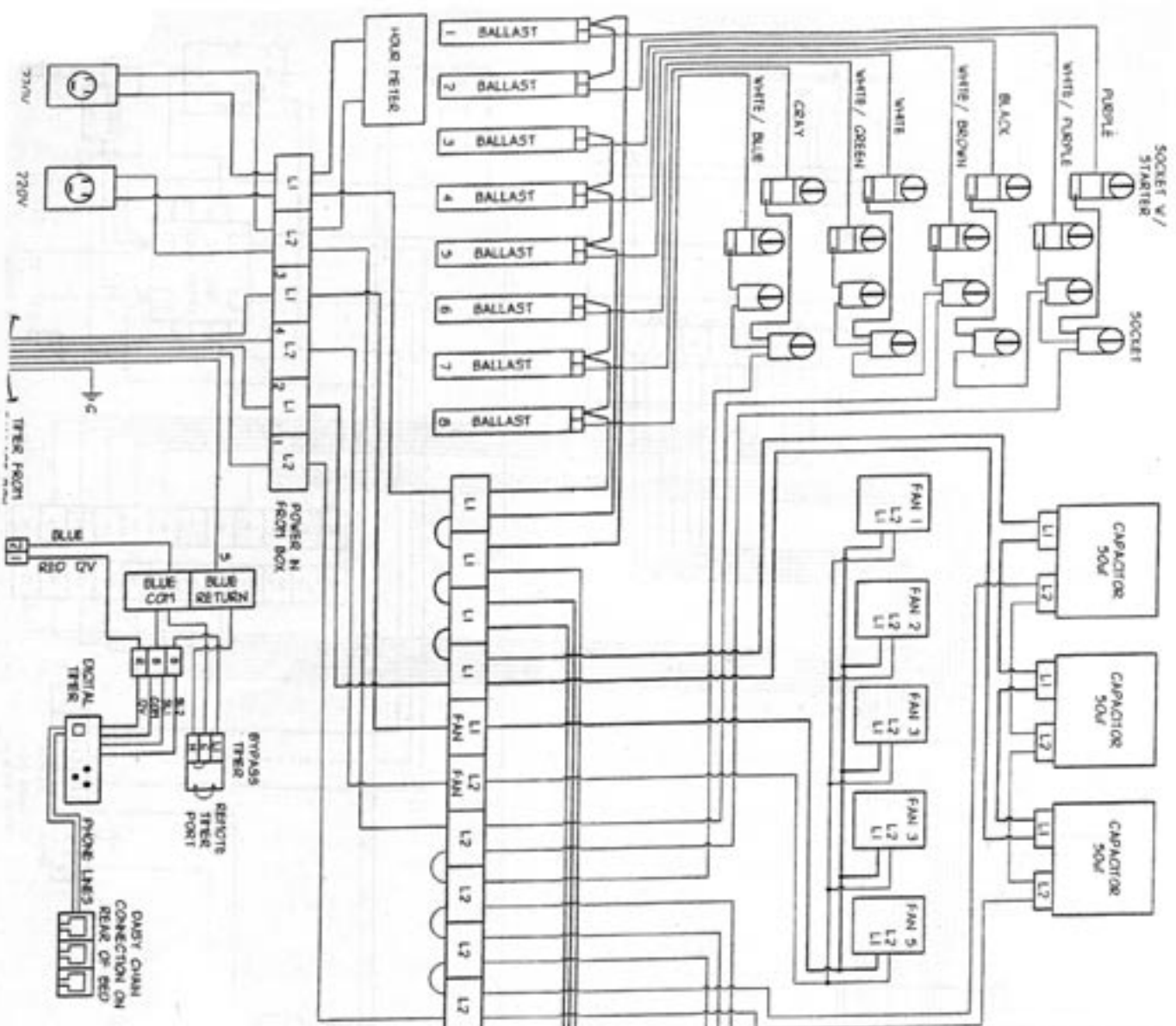
**Sunsource 5000VSS, 6000VSS  
Canopy 220V / 160W, 1 Facial**  
International Tanning Technologies  
Cleveland, OH  
**800-832-8267**



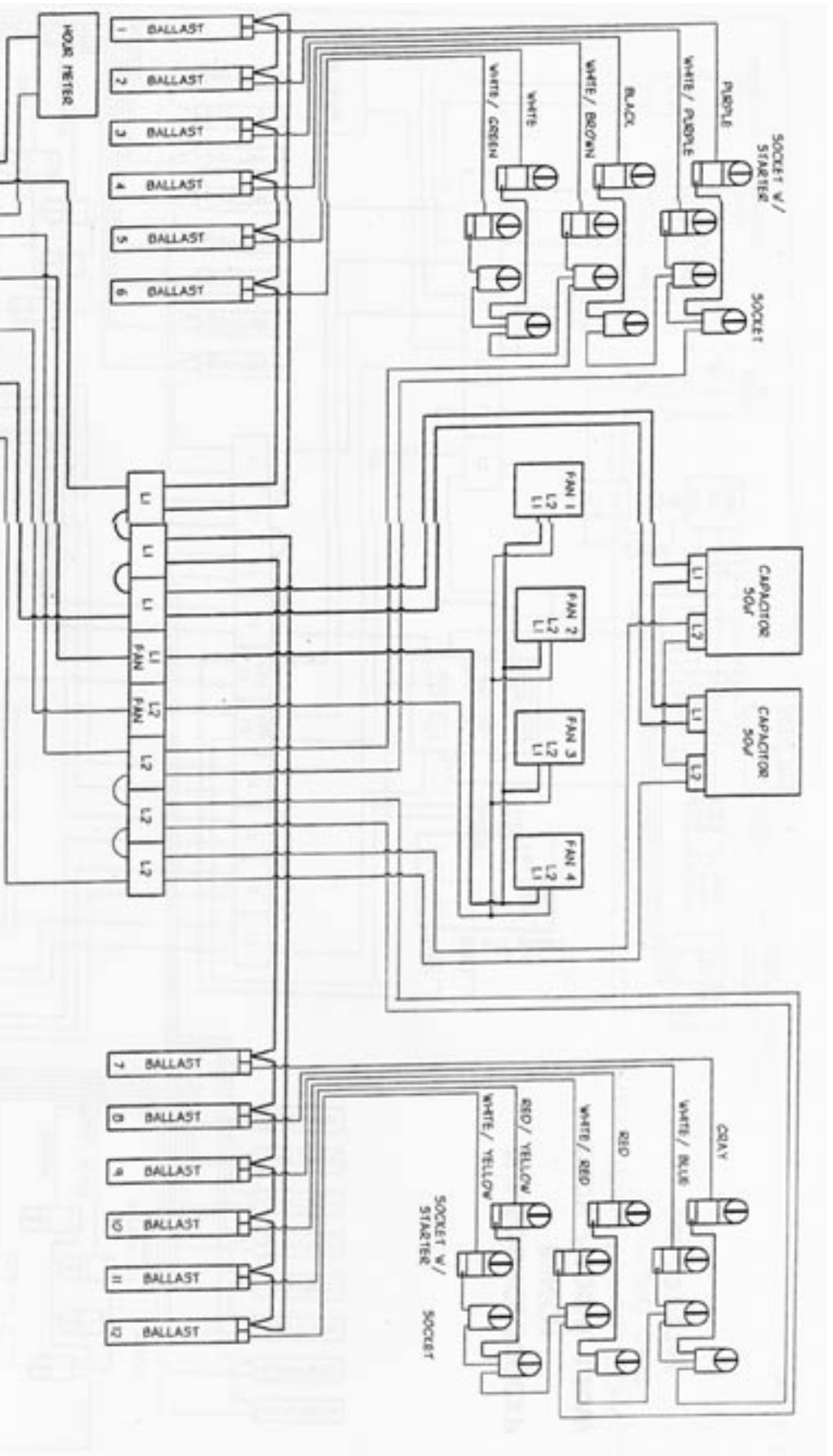
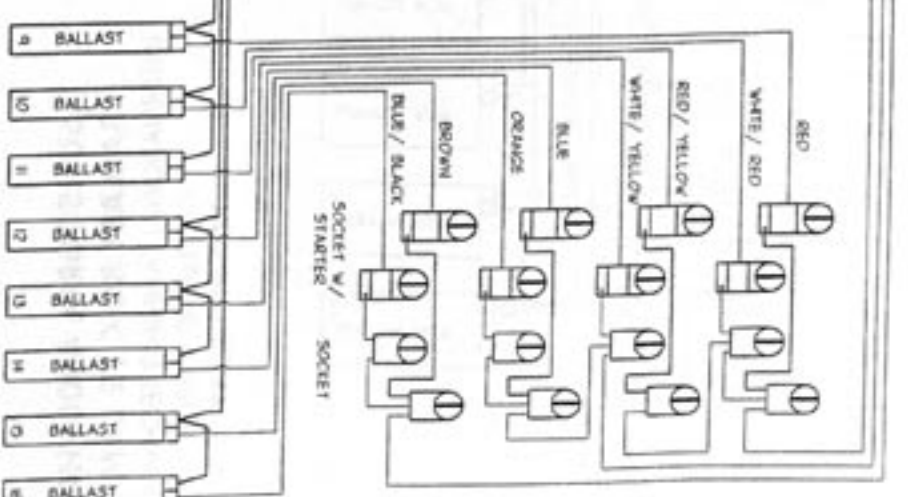
**Sunsource 500XP Bench**  
**220V / 100W, 120W**  
 International Tanning Technologies  
 Cleveland, OH  
**800-832-8267**



**Sunsource 3000XP 4000XP Bench**  
**220V / 100W, 120W**  
 International Tanning Technologies  
 Cleveland, OH  
**800-832-8267**

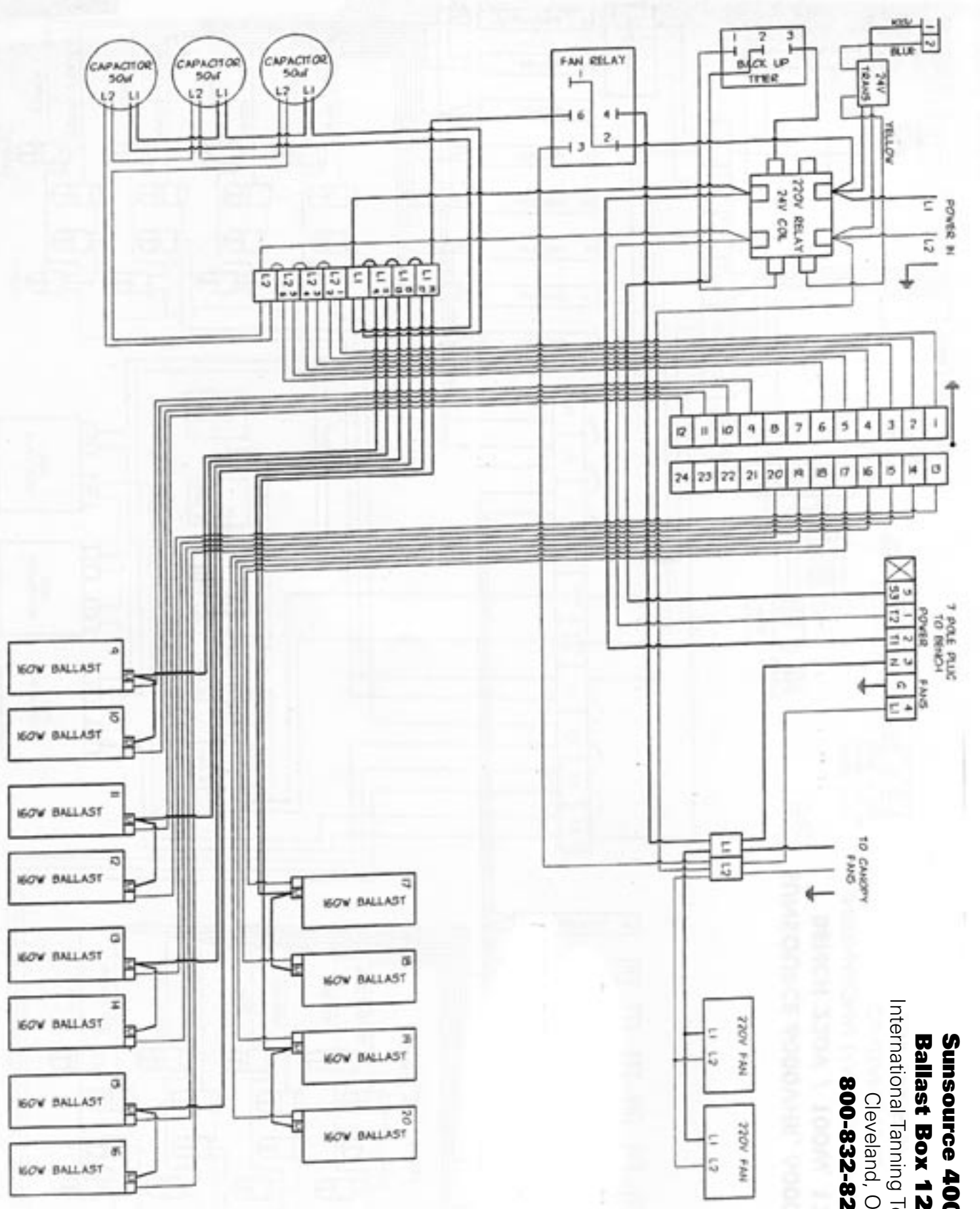
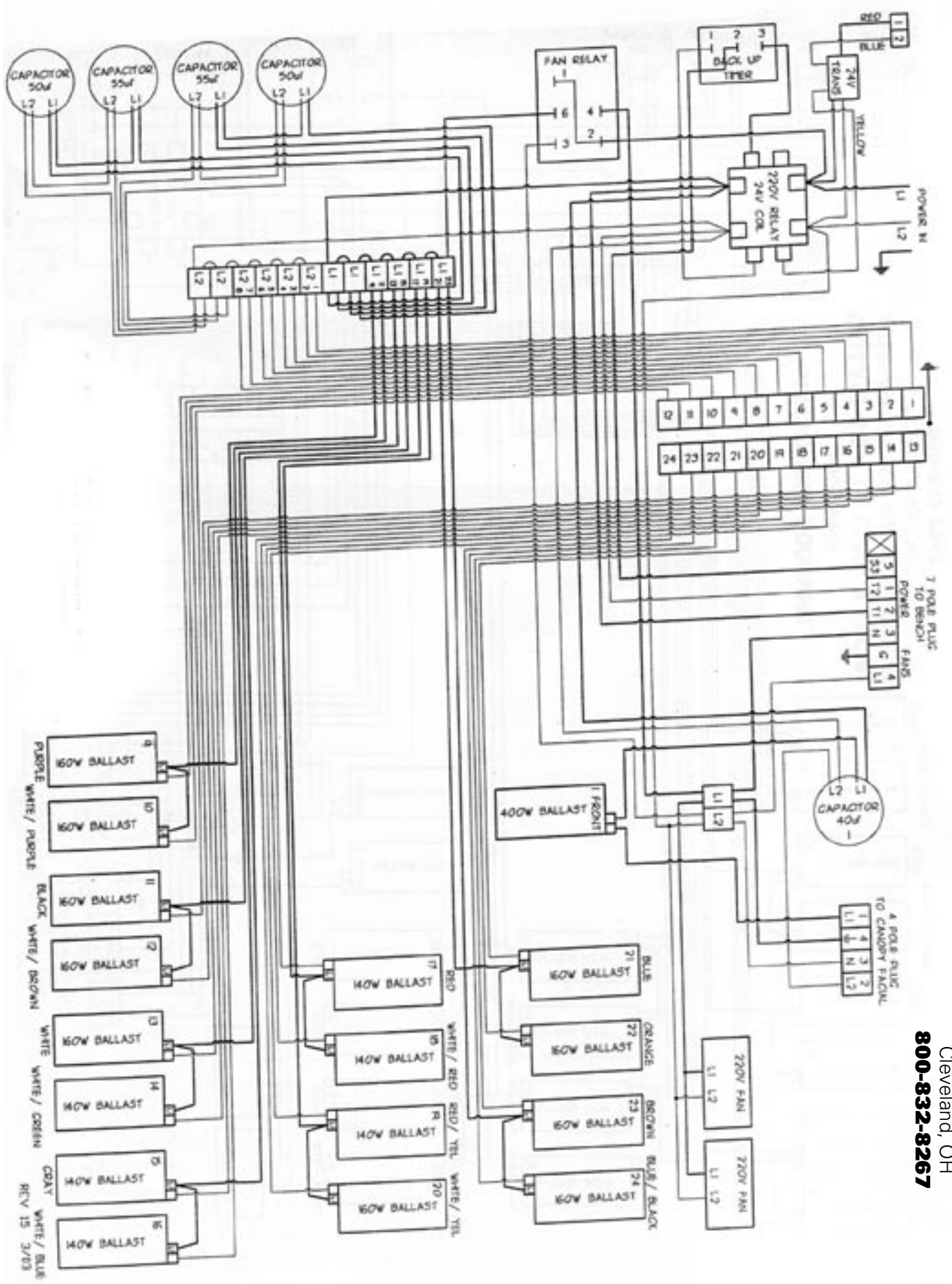


**Sunsource 6000VSS, 6000VSS-XL**  
**Bench 220V / 100W, 120W**  
 International Tanning Technologies  
 Cleveland, OH  
**800-832-8267**

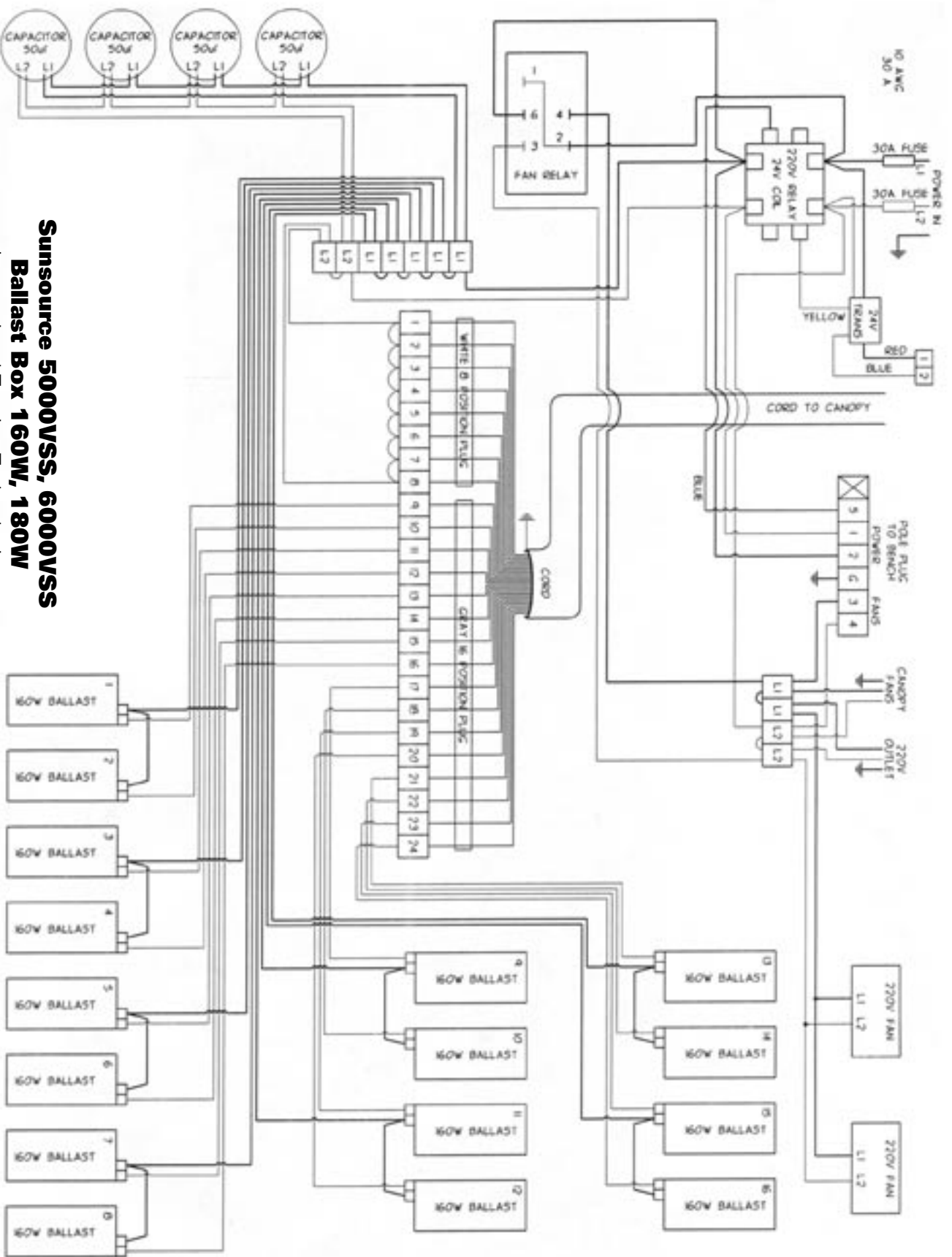


**Sunsource 4000VSS, 5000VSS**  
**Bench 220V / 100W, 120W**  
 International Tanning Technologies  
 Cleveland, OH  
**800-832-8267**

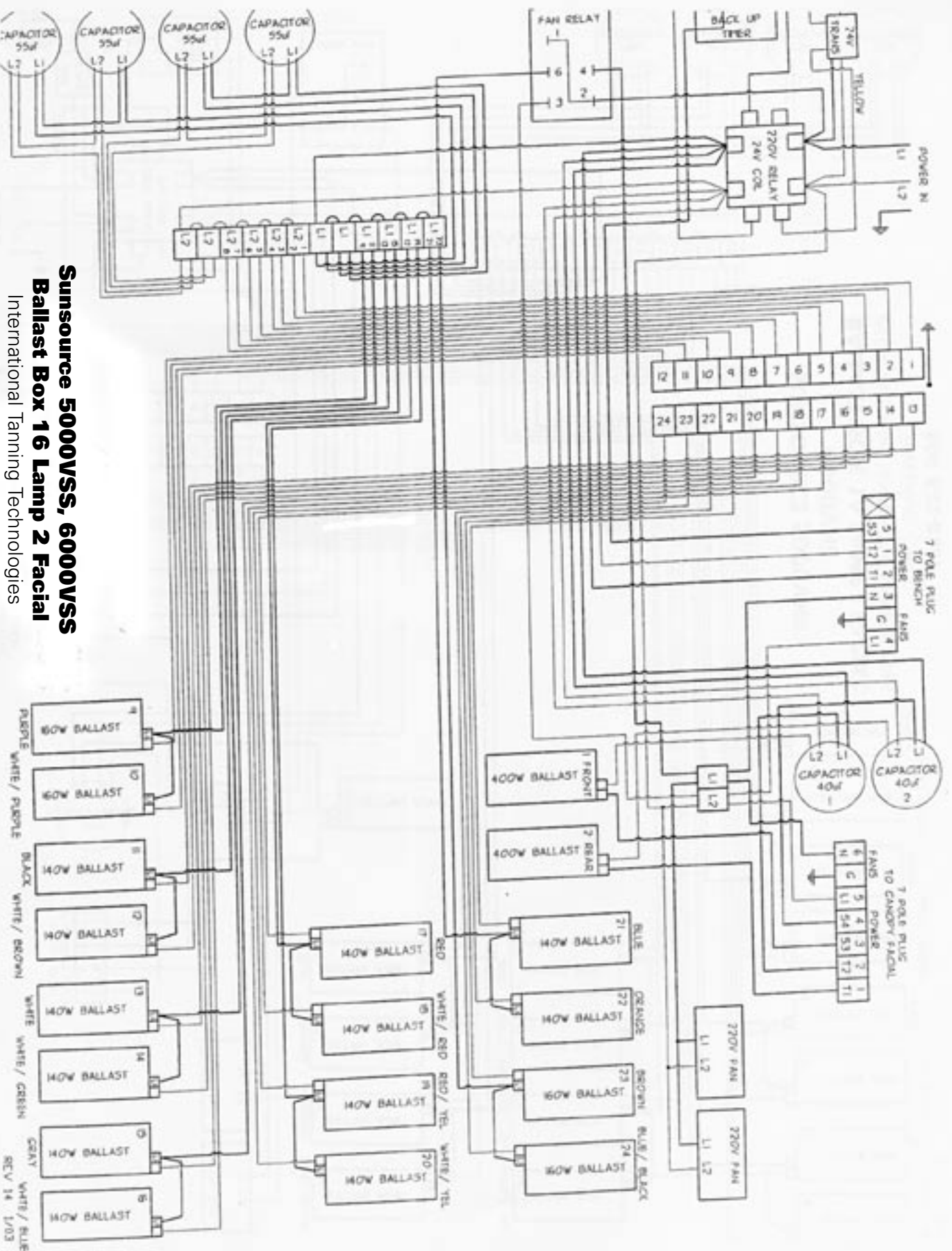
**Sunsource 5000VSS, 6000VSS  
Ballast Box 16 Lamp 1 Facial**  
International Tanning Technologies  
Cleveland, OH  
**800-832-8267**



**Sunsource 4000VSS  
Ballast Box 12 Lamp**  
International Tanning Technologies  
Cleveland, OH  
**800-832-8267**



**Sunsource 5000VSS, 6000VSS  
Ballast Box 160W, 180W**  
International Tanning Technologies  
Cleveland, OH  
**800-832-8267**



**Sunsource 5000VSS, 6000VSS  
Ballast Box 16 Lamp 2 Facial**  
International Tanning Technologies  
Cleveland, OH  
**800-832-8267**



**Sunsource™ Tanning Systems**  
**3 YEAR LIMITED WARRANTY CARD**

***Important: Mail Warranty Card Now!***

Name of Purchaser: \_\_\_\_\_ Date Purchased: \_\_\_\_\_

Name of Business: \_\_\_\_\_

Address: \_\_\_\_\_ Phone: (\_\_\_\_\_) \_\_\_\_\_

City: \_\_\_\_\_ State: \_\_\_\_\_ Zip: \_\_\_\_\_

E-mail: \_\_\_\_\_

Distributor: \_\_\_\_\_

Model #: \_\_\_\_\_ Serial #: \_\_\_\_\_

*Please fill out warranty card completely and return to ITT.  
Thank you.*



5225 W. 140th Street  
Brook Park, OH 44142